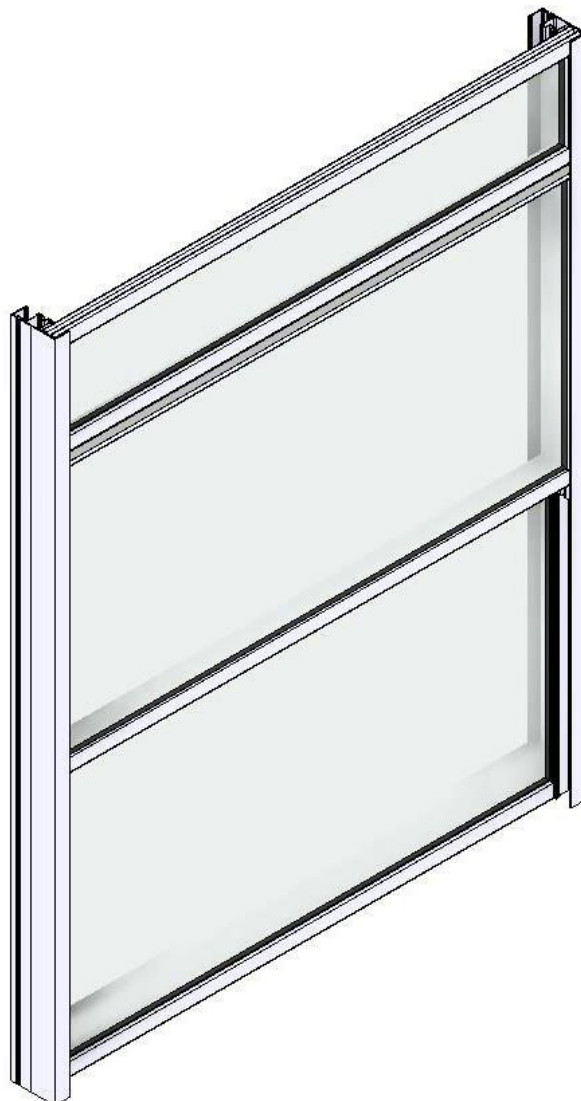




Technical Access Manual

UP & DOWN PLUS system hand driven
windshield dividers.



PRODROMIDIS
AWNING SYSTEMS - PERGOLAS

GENERAL

Dear customer, thank you for the preference and choice of our products.

This manual is a concise brochure with useful information and installation instructions for electrically retractable partitions, UP & DOWN PLUS series systems by Prodromidis Nikolaos & Co. EE.

Please read the following instructions carefully, which are intended for the safe installation and smooth operation of the systems.

SAFETY INSTRUCTIONS - USEFUL TIPS

Be careful when passing cables at the installation site.

Always carry the required personal protective equipment and take all necessary precautions. Do not endanger your individual integrity.

The various components that make up the systems can only be used for the specific purposes for which they are intended.

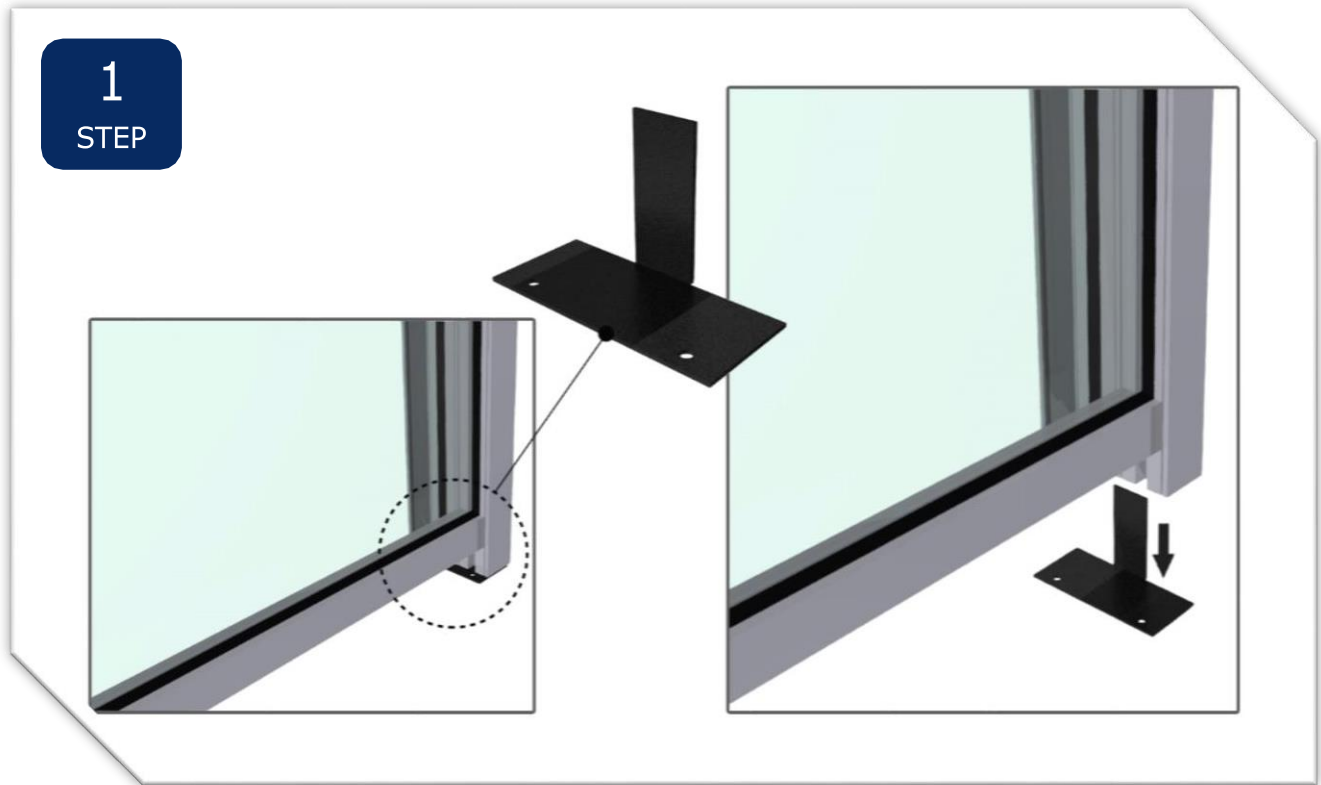
The products are packaged in such a way as to ensure their safe transport. However, special care should be taken when removing them from wooden boxes, pallets or other packaging. Any retainers should be removed first and then carefully transported to a safe flat surface. Special attention should be paid to the current weather conditions. A possible wind can overturn the not yet installed windbreaks.

The products consist of fragile glass and moving - dividing parts of significant volume and weight. Their anchoring at the intended installation site must comply with the applicable safety regulations.

The installation should be done by experienced and specialized staff. The installer should be aware that the company Prodromidis Nikolaos & Co. EE does not bear any responsibility in case of physical or material damage caused by the incorrect application and assembly of its products or non-compliance with appropriate safety measures.

For any question, doubt or remark you have do not hesitate to contact us.

A. UP & DOWN PLUS system installation.

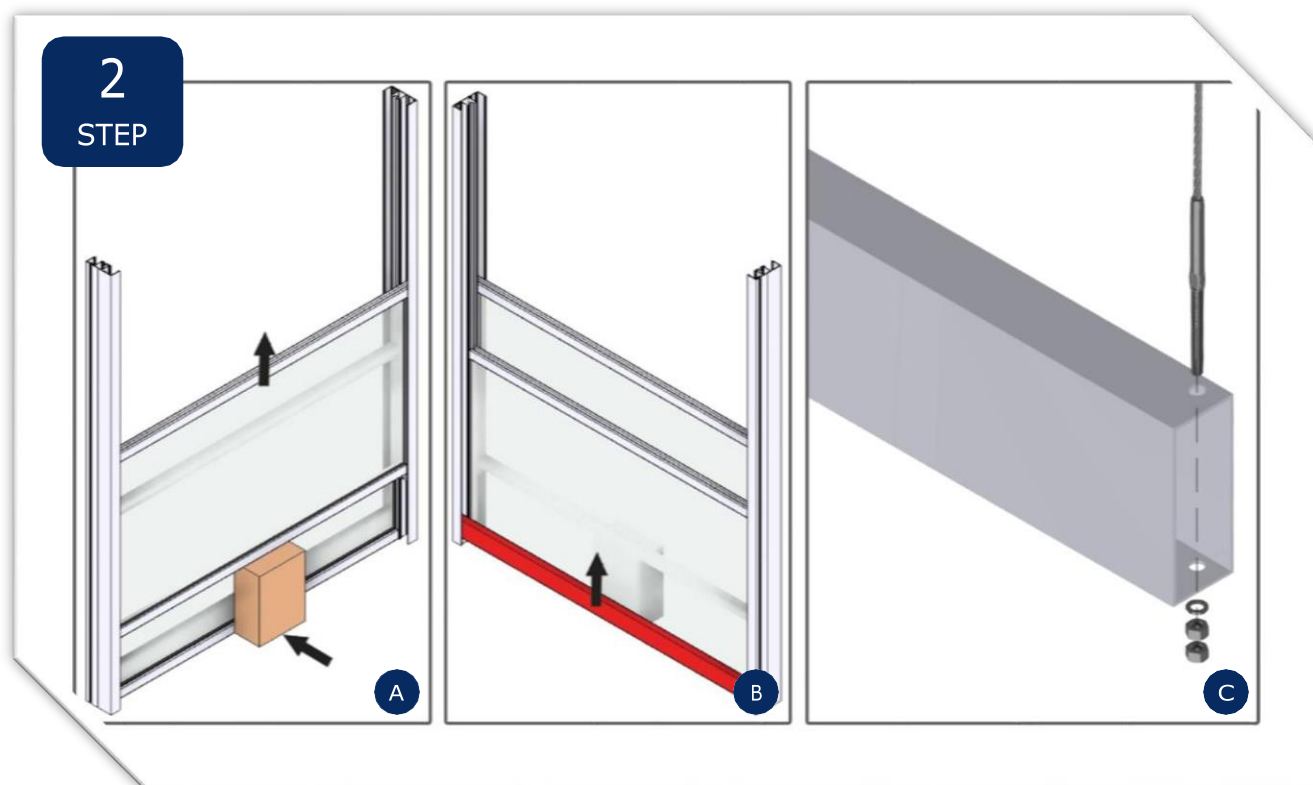


Step 1.

After removing the windbreaks from any packaging and holding means, transfer them to a safe flat surface.

Then, in case the systems do not include special flanges with the ground, we remove the auxiliary metal packing pieces from the guides, unscrewing the relevant screw from the back of each guide.

These pieces are no longer useful for the further installation process.

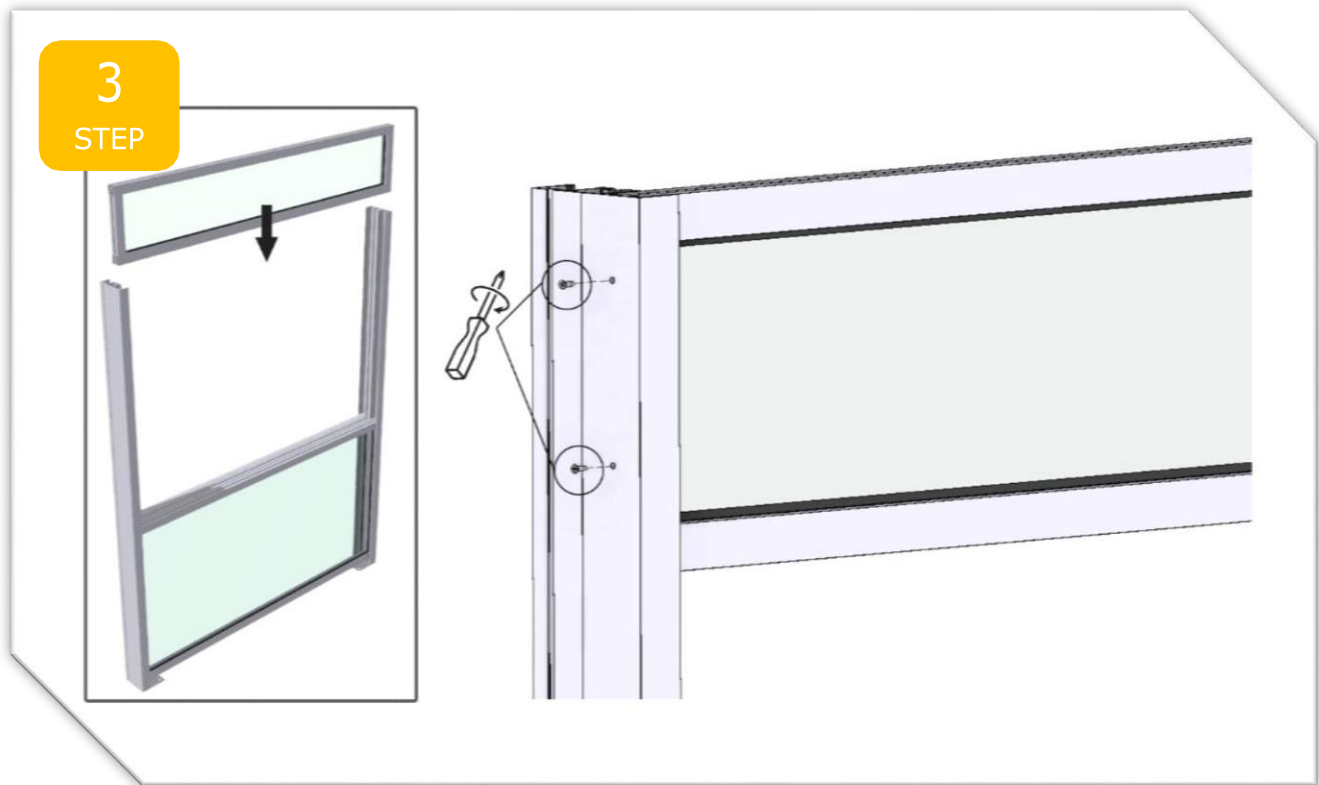


Step 2.

We pull the moving frame upwards about 15-20cm, while at the same time we place a block under it to facilitate our subsequent assembly.

Pull the counterweight through the guides carefully, due to its weight.

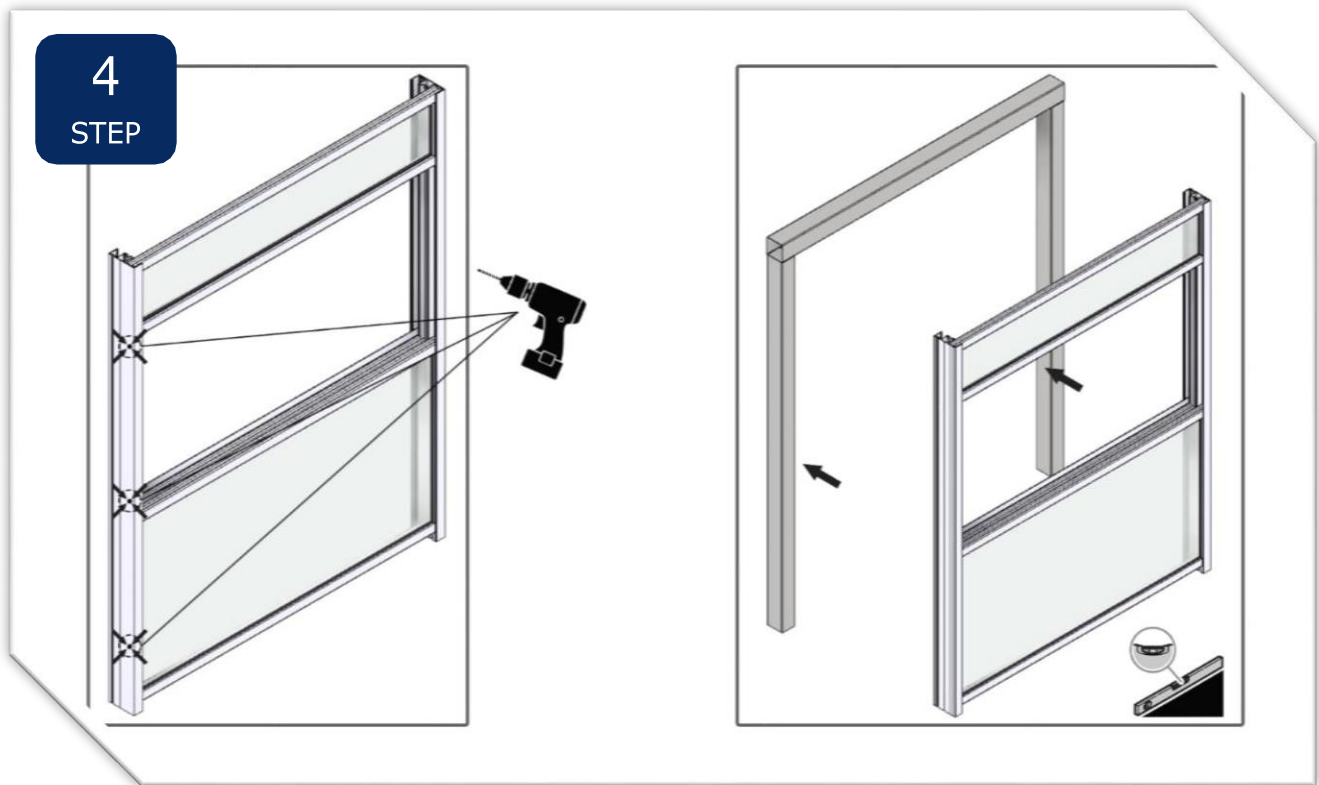
We pass the ends (terminals) of the ropes in the open holes of the counterweight. We definitely use a washer and two nuts.



Step 3. (Use of Skylight)

In case the system includes a fixed glass in its upper part, we follow the following procedure:

- ⇒ Insert the skylight into the side guides.
- ⇒ Align, stabilize and then drill the necessary milling holes (2 on each side).
- ⇒ Screw with the appropriate screws.

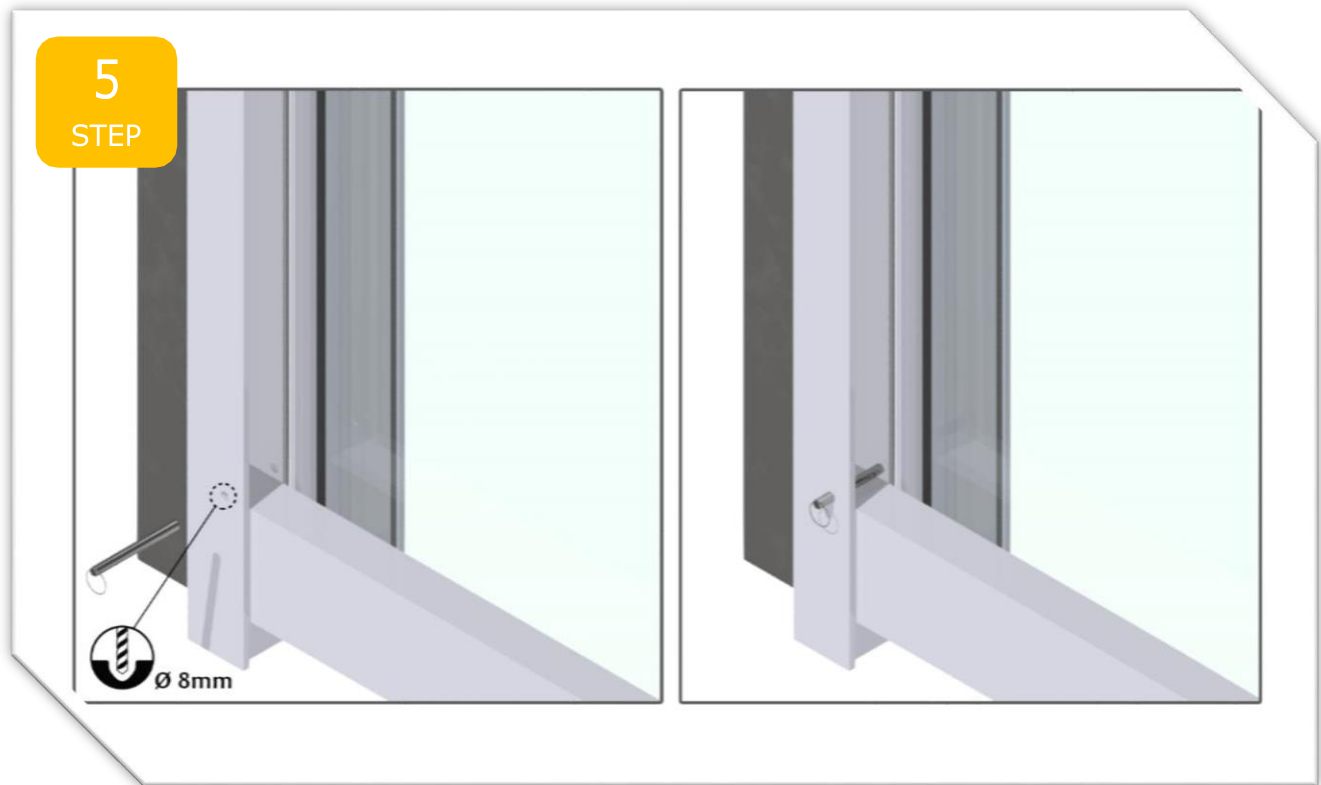


Step 4.

We drill at least 3 milling cutters and even holes in each guide from the side of the moving frame or the counterweight, depending on the possibilities that exist in the existing bearing body in which we will place the system.

Carefully insert the system into the installation frame. Level and screw with the appropriate screws. In the case of mounting in hollow beams, we use self-drilling screws.

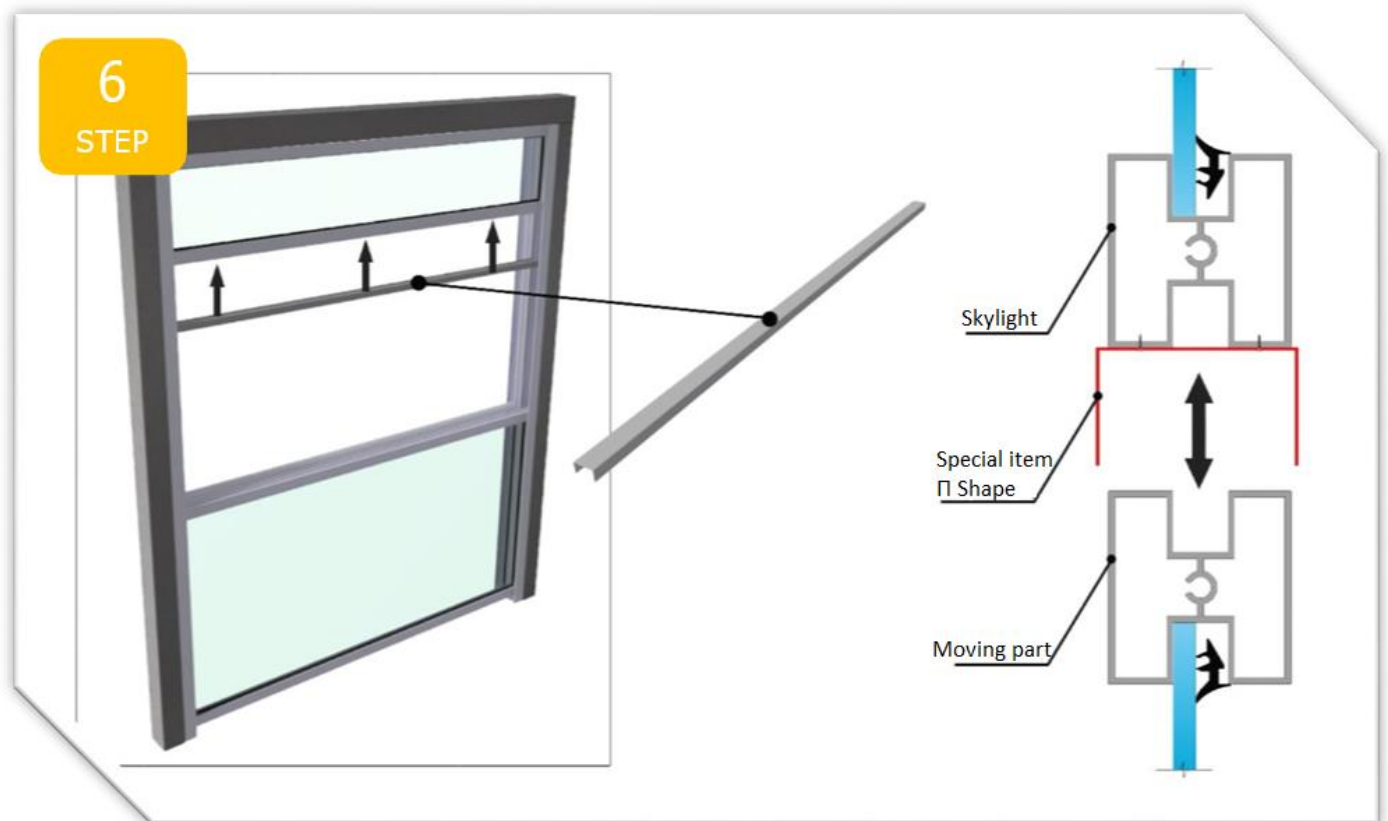
In case there is a significant joint in thickness, between the system and the mounting frame, we can use a flexible elastomeric strip of synthetic rubber (Armaflex).



Step 5. (Optional - Counterweight lock)

In case we want to hold - lock the counterweight, place the corresponding pins after first opening an 8mm hole in the guide.

Be careful, the drilling should be done slowly and sequentially so that it does not end in the crystal.

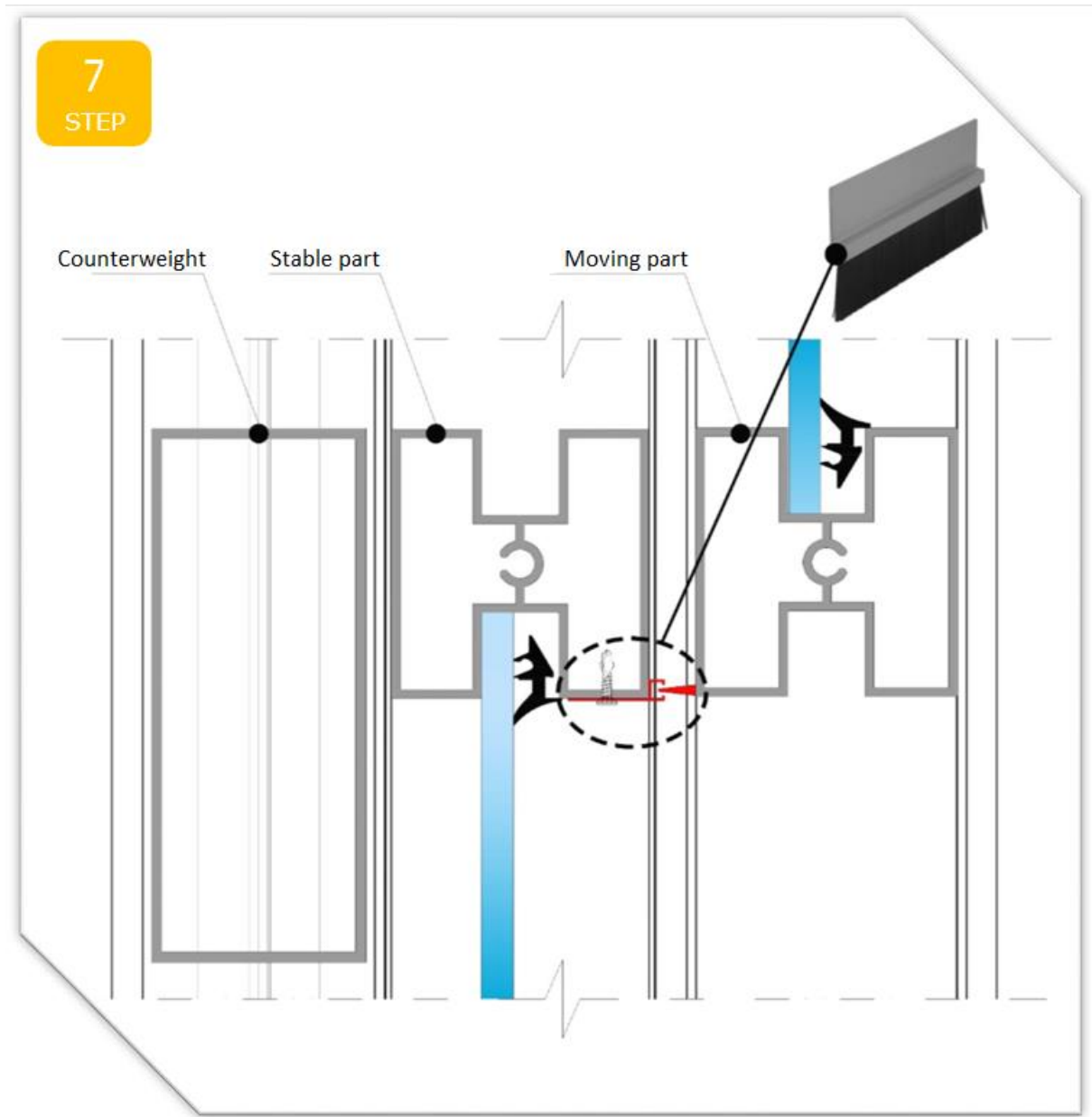


Step 6. (Optional - Joint cover)

For the best sealing of the moving frame (avoidance of joint), the use of a special Π-shaped strainer is recommended.

The piece is screwed to the horizontal hollow or skylight of the system.

To maximize the side cover from the air inflow follow the procedure of Step 7.

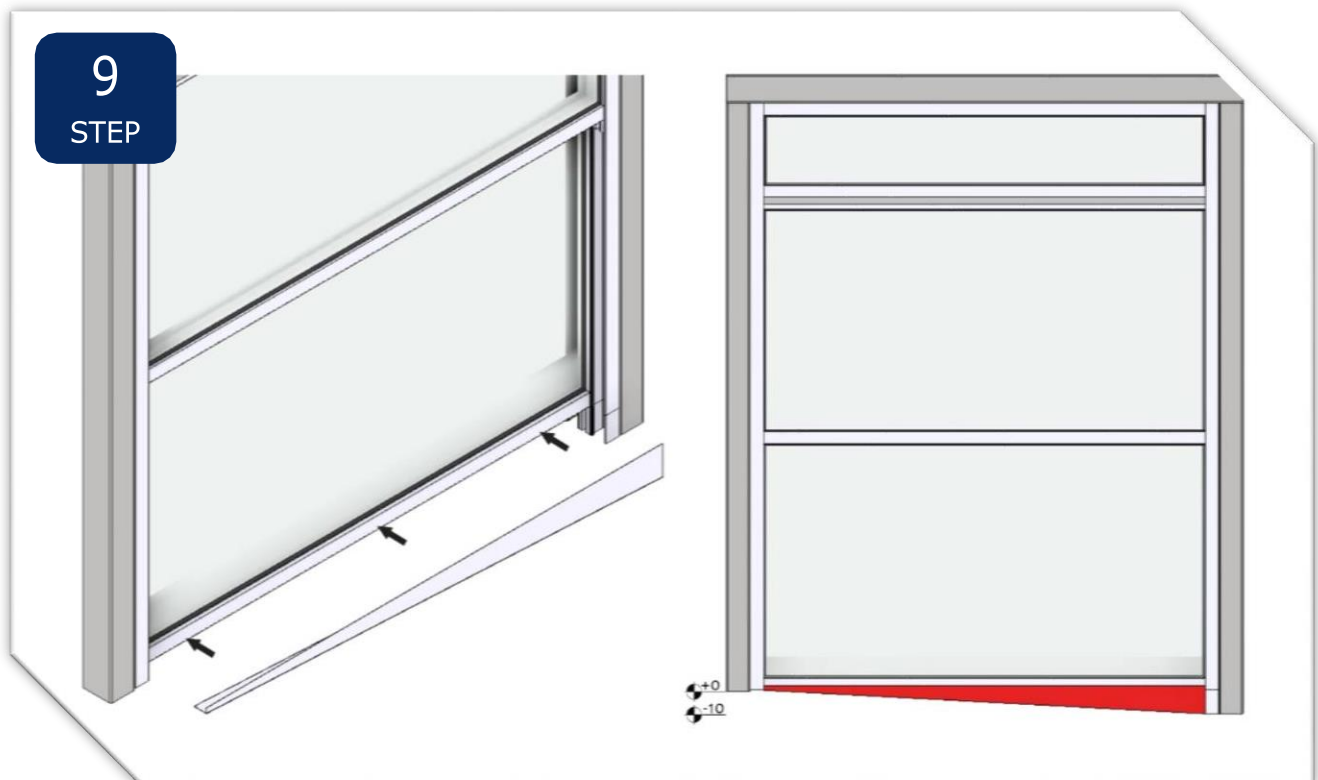
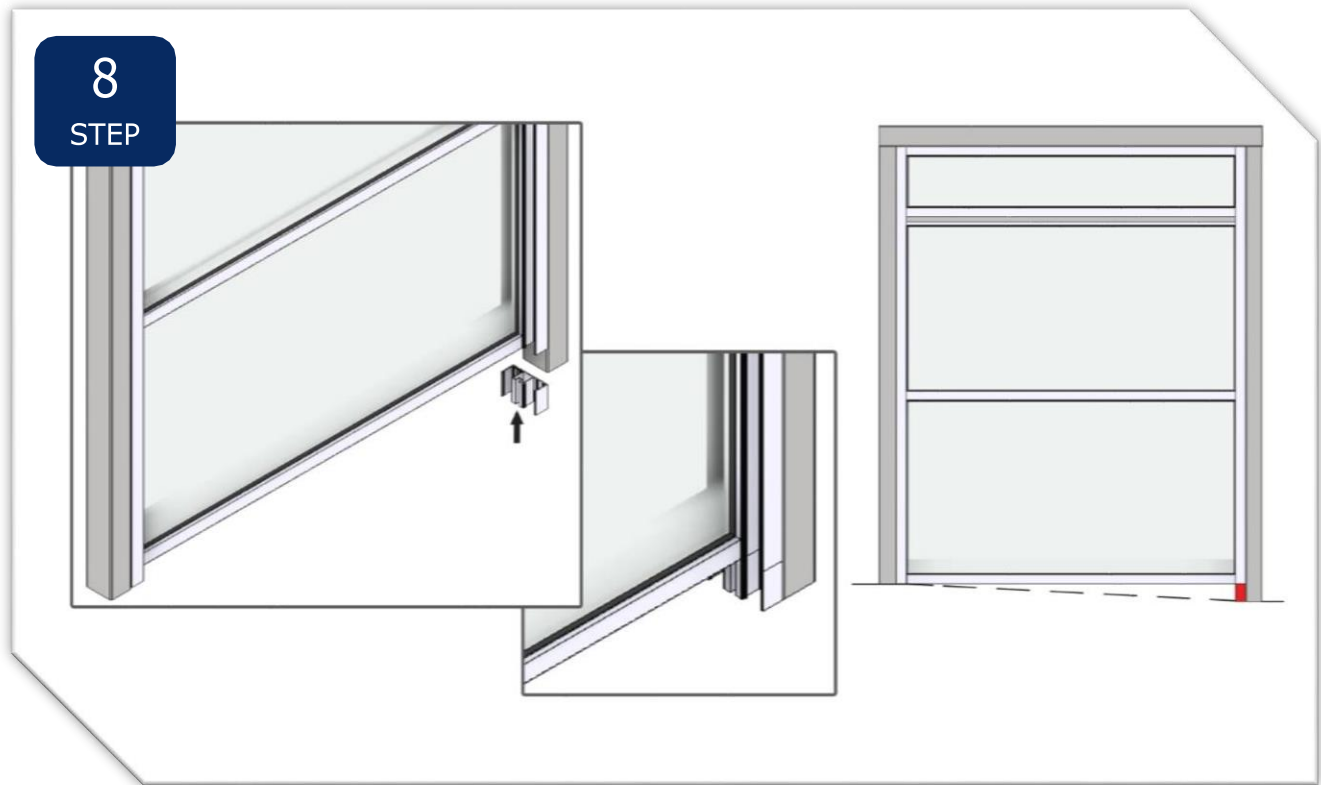


Step 7. (Optional - Sealing brush)

For additional coverage from the inflow of air between a fixed and a moving frame, we use the corresponding airtop (brush passed to a special aluminum profile).

The aerostop is screwed to the fixed frame of the system with self-drilling screws.

B. Installation of **UP & DOWN PLUS** system on sloping ground



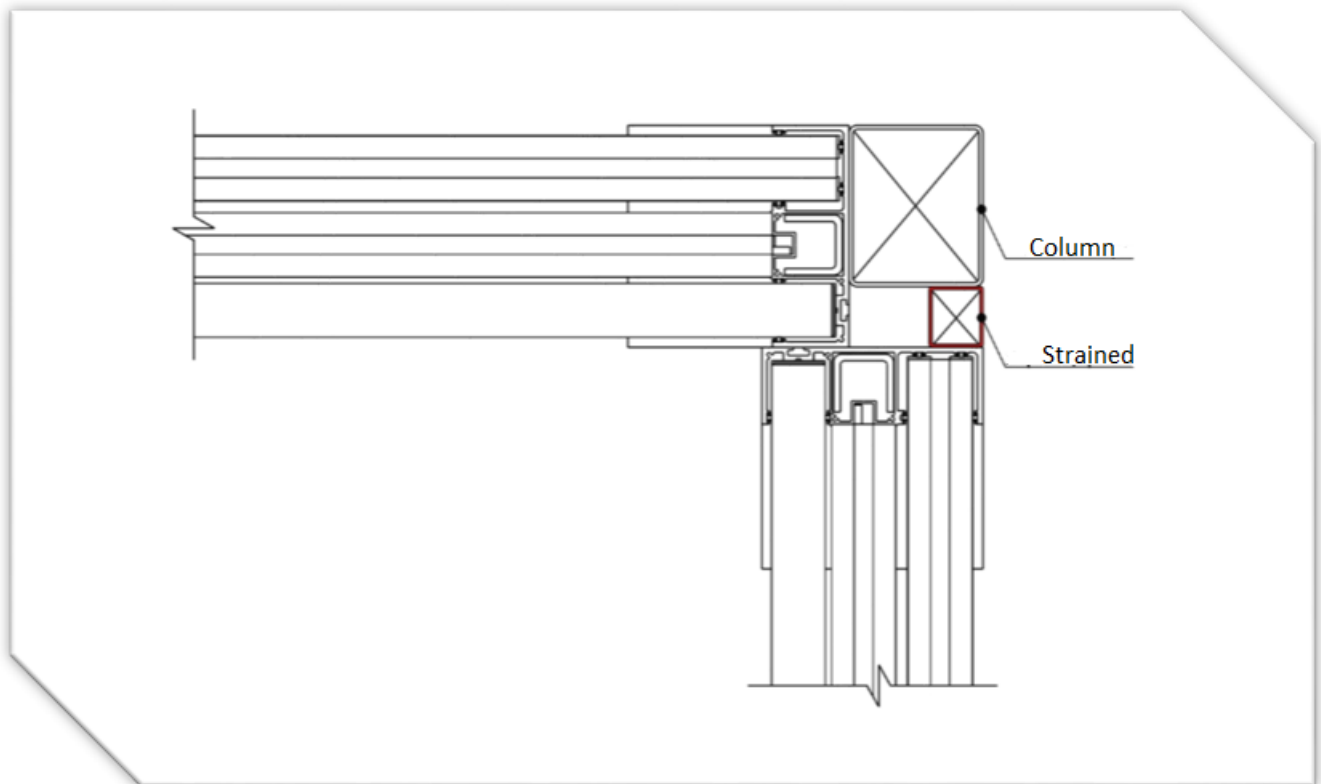
Step 8-9.

On sloping ground, due to the difference in height between the two guides, we place an additional piece of the same aluminum profile, thus filling the existing gap.

Then to cover the triangular shape of the vacuum created under the system we place a special piece (corner of stretched sheet metal).

It is installed with self-drilling screws in the fixed frame of the system and the use of sealing mastic is recommended for the best possible waterproofing.

C. Installation of *UP & DOWN PLUS* system in corner.



If two systems are placed at an angle and the intermediate column is less than 16.5 cm, then an inevitable gap is created between them. Thus, for their correct coupling, we place an additional auxiliary metal stranded element of dimensions proportional to the existing gap.

Prodromidis Nikolaos & Co. EU

Pogradec 21 & Irini 11 Peristeri

2105786700

info@prodromidis.gr

www.prodromidis.gr

